

NOTES:

ALL DROP INLET OVER 3'-6" IN DEPTH TO BE PROVIDED WITH STEPS 1'-3" ON CENTERS. STEPS SHALL BE IN ACCORDANCE WITH STD. SS-8 AND SS-9

CLASS "A" CONCRETE TO BE USED (3000 PSI).

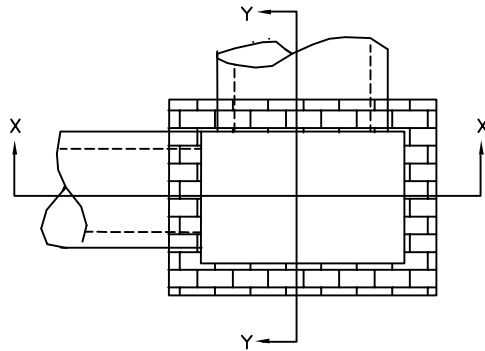
BRICK MASONRY DROP INLET TO BE USED IN LOCATIONS SUBJECT TO TRAFFIC ONLY UPON APPROVAL BY ENGINEER.

PRECAST CONCRETE DROP INLET WILL BE PERMITTED.

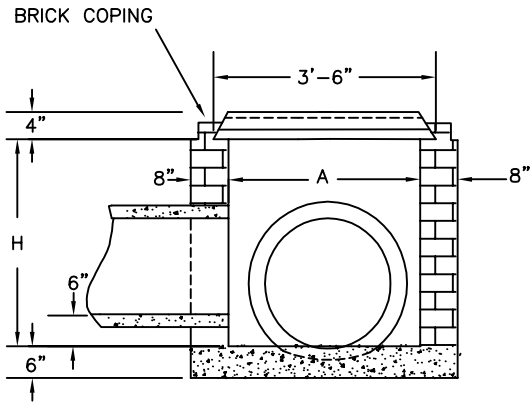
JUMBO BRICK WILL BE PERMITTED. CONCRETE BRICK OR PRECAST CONCRETE BLOCKS MAY BE USED IN LIEU OF CLAY BRICK.

FOR 8'-0" IN HEIGHT OR LESS USE 8" WALL. OVER 8'-0" IN HEIGHT, USE 12" WALL TO 6'-0" FROM TOP OF WALL. AND 8" WALL FOR THE REMAINING 6'-0".

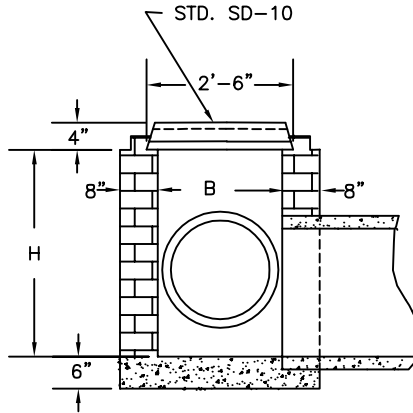
IF REINFORCED CONCRETE PIPE IS SET IN BASE OF SLAB BOX USE STANDARD SPEC. DRAWING SD-1.



PLAN WITH COPING REMOVED



SECTION-XX



SECTION -YY

DIMENSIONS AND QUANTITIES

PIPE D	DIMENSIONS OF BOX & PIPE			CONCRETE IN BASE CU. YDS.	TOTAL BRICK MASONRY			DEDUCTIONS FOR ONE PIPE	
	SPAN A	WIDTH B	HEIGHT H(MIN)		PER FT. HEIGHT	BRICK COPING	MIN. H	C.M.	R.C
12"	3'-0"	2'-0"	2'-8"	0.267	0.313	0.037	0.871	0.020	0.032
15"			3'-0"				0.976	0.031	0.047
18"			3'-5"				1.106	0.044	0.065
24"			4'-0"				1.289	0.078	0.113
30"	3'-0"	2'-0"	4'-3"	0.267	0.313	0.037	1.367	0.122	0.170



DATE 8/16/04	REVISED 8/18/04	SCALE NOT TO SCALE	DETAIL SD-9
-----------------	--------------------	-----------------------	----------------

STANDARD BRICK DROP INLET 12" THRU 30" PIPE
CITY OF BURLINGTON, NORTH CAROLINA
ENGINEERING DEPARTMENT