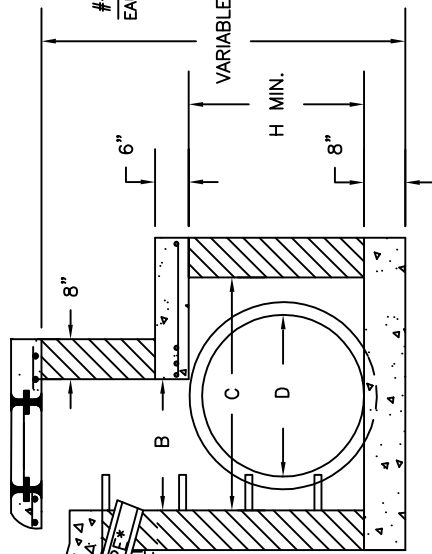


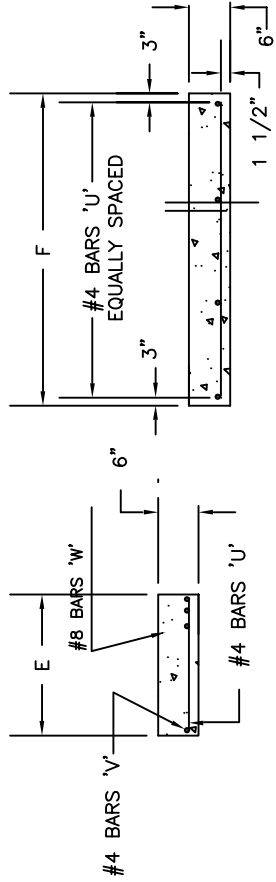
ASPHALT SURFACE
STONE BASE



SEAL END OF 4" PIPE
AT COMPLETION OF
ASPHALTIC BINDER

* 4" CAST IRON SOIL PIPE OR
PVC

PLAN OF TOP SLAB

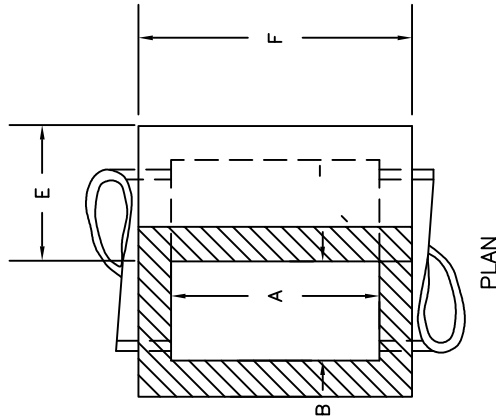


SECTION R-R SECTION S-S

MINIMUM DIMENSIONS FOR BRICK CURB INLET

Pipe	Dimensions of Box and Pipe				Slab Dimension		Reinforcing					
	Span	Width	Width	Height	E	F	Bars U		Bars V		Bars W	
D	A	B	C	H			NO.	LENGTH	NO.	LENGTH	NO.	LENGTH
12"	4'-6"	2'-3"	-	3'-1"	-	-	-	-	-	-	-	-
15"	-	-	-	3'-1"	-	-	-	-	-	-	-	-
18"	-	-	-	3'-3"	-	-	-	-	-	-	-	-
24"	-	-	-	3'-9"	-	-	-	-	-	-	-	-
30"	3'-4"	3'-4"	3'-4"	3'-4"	1'-9"	5'-10"	6	1'-5"	3	5'-6"	3	5'-6"
36"	3'-10"	3'-10"	3'-10"	3'-10"	2'-3"	-	-	1'-11"	4	-	-	-
42"	4'-6"	4'-6"	4'-6"	4'-6"	2'-11"	-	-	2'-7"	5	-	-	-
43"	5'-0"	5'-0"	5'-0"	5'-0"	3'-5"	-	-	3'-1"	6	-	-	-
54"	5'-8"	2'-3"	5'-8"	5'-6"	4'-1"	5'-10"	6	3'-9"	7	5'-6"	3	5'-6"

END ELEVATION



PLAN



DATE 8/16/04
REVISED 8/18/04
SCALE NOT TO SCALE

DETAIL

SD-3

STANDARD BRICK CURB INLET
CITY OF BURLINGTON, NORTH CAROLINA
ENGINEERING DEPARTMENT