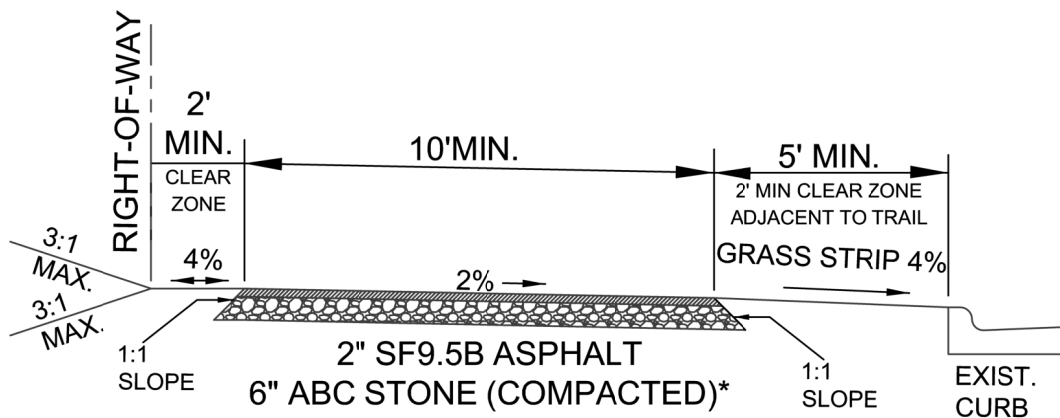


TRAIL IN PARK SETTING



TRAIL PARALLEL TO STREET

* 6" OF ABC STONE MAY BE REPLACED WITH 3" OF B25.0C

NOTES:

1. MINIMUM WIDTH MUST BE MAINTAINED UNLESS LEGITIMATE CONSTRAINTS DICTATE OTHERWISE.
2. DIRECTION OF CROSS SLOPE FOR TRAIL IN PARK SETTING TO BE DETERMINED BY TOPOGRAPHICAL CONDITIONS.
3. FOR TRAIL NEXT TO ROADWAY, THE AASHTO RECOMMENDED MINIMUM GRASS STRIP BETWEEN THE TRAIL AND CURB IS 5 FT. IF CONSTRAINTS PROHIBIT A 5 FT GRASS STRIP, THEN A PHYSICAL BARRIER OR RAILING MAY BE REQUIRED PER AASHTO.
4. EASEMENTS MAY BE ACCEPTED IN LIEU OF RIGHT-OF-WAY AT THE DISCRETION OF THE CITY ENGINEER.



DATE 03/16/18	REVISED 02/19/19	SCALE NOT TO SCALE	DETAIL R-17
------------------	---------------------	-----------------------	----------------